

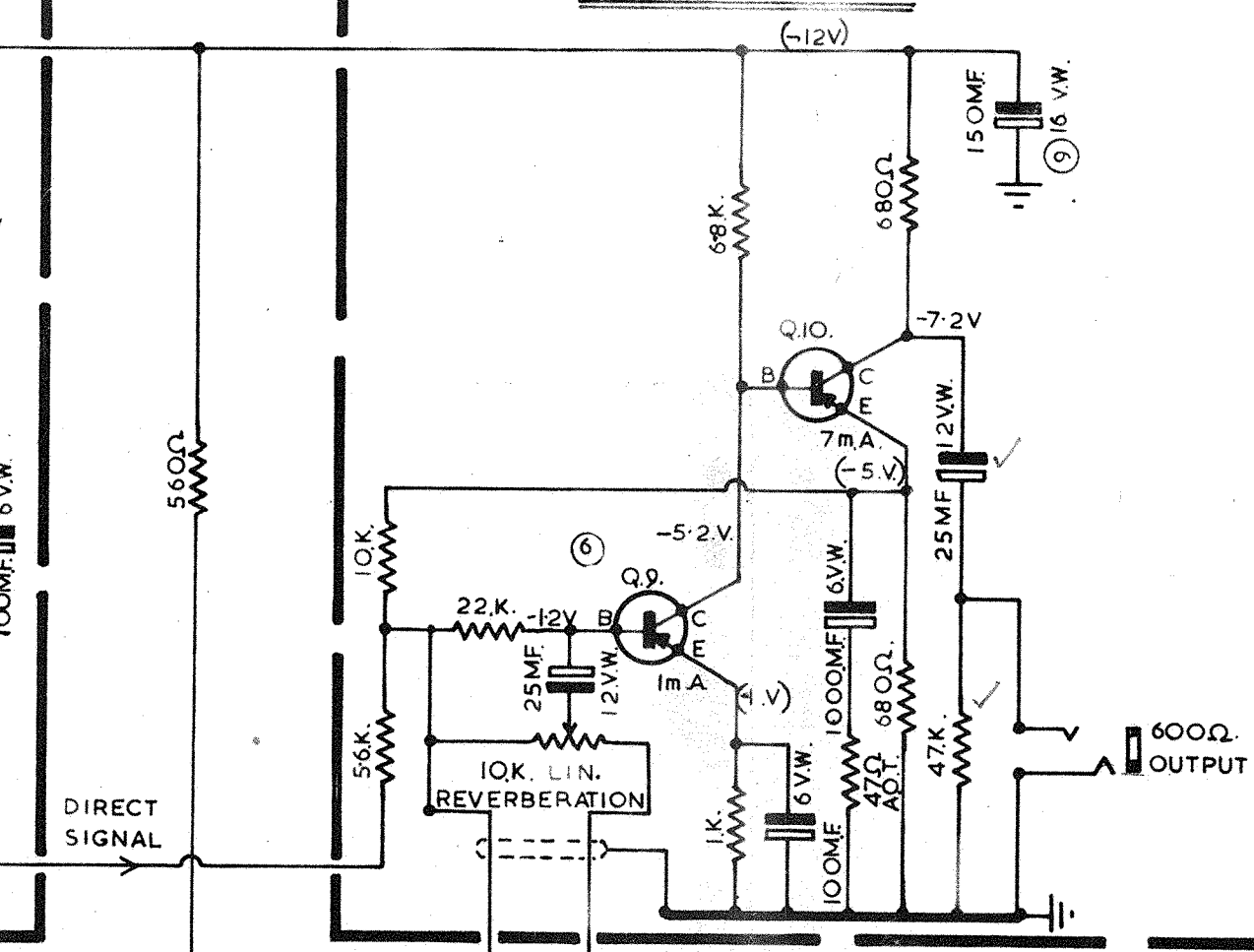
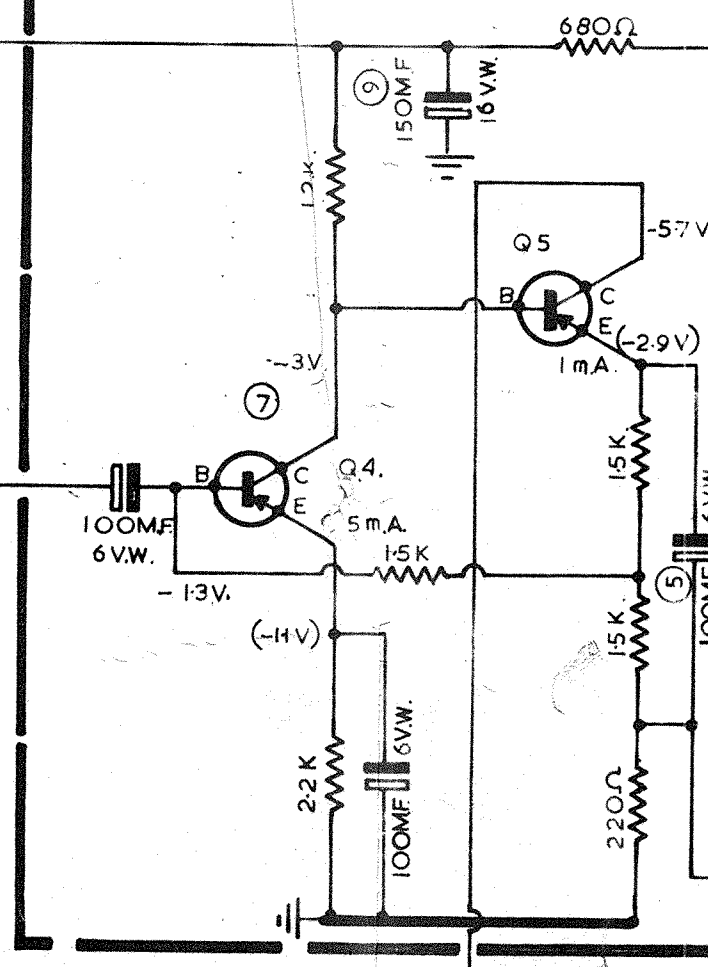
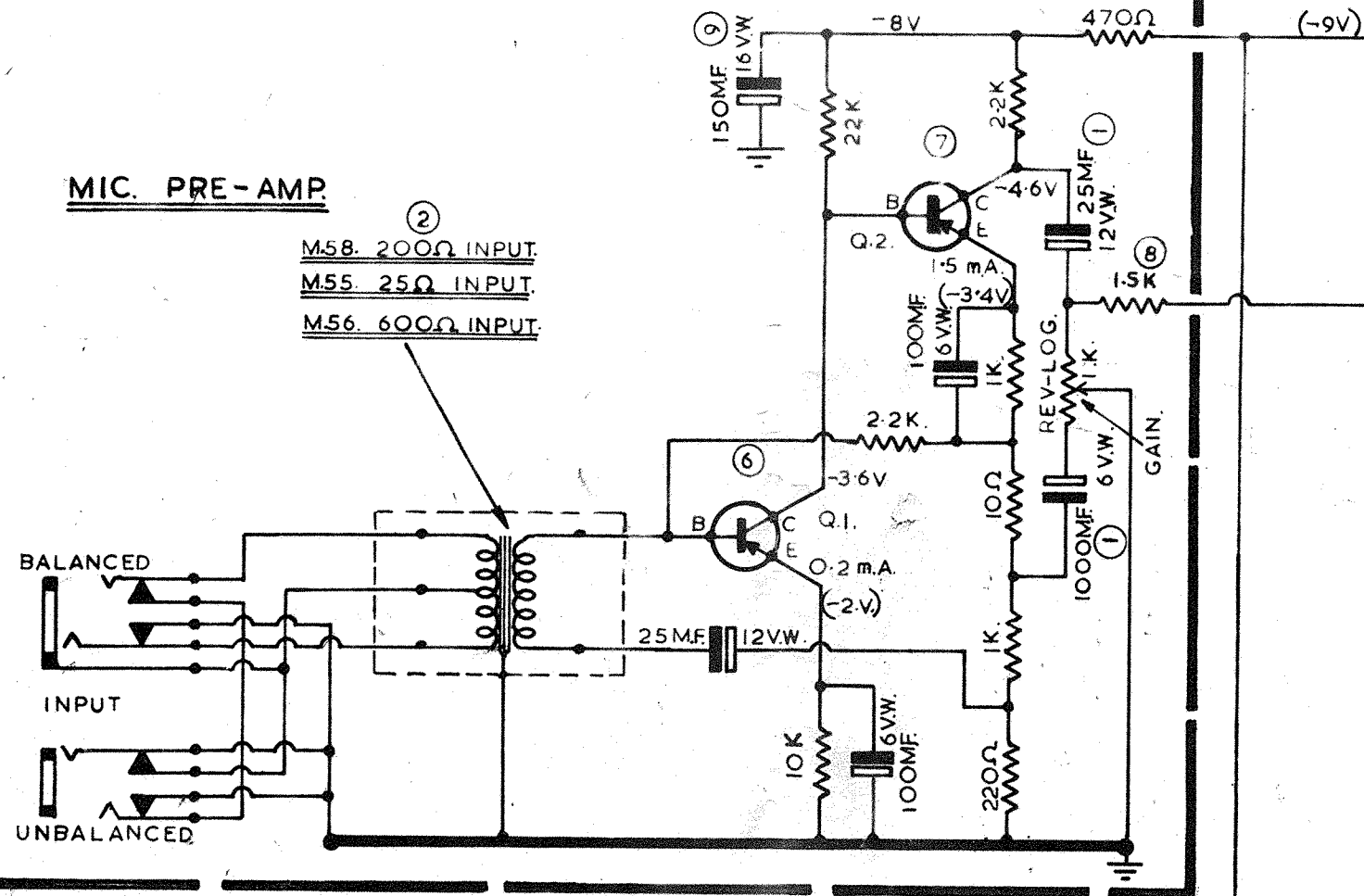
NOTE (13)  
 ALL RESISTORS  $\pm 5\%$  0.33W AT 70°C  
 UNLESS OTHERWISE STATED.

**BUFFER SPLITTER AMPLIFIER**

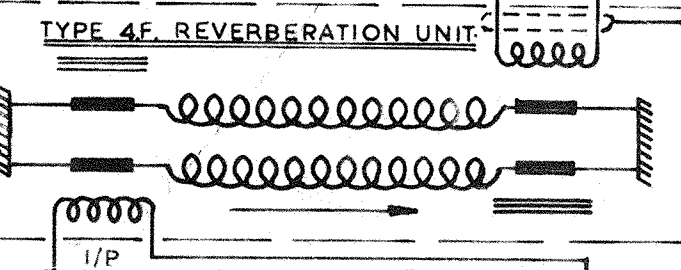
**OUTPUT AMPLIFIER**

**MIC. PRE-AMP**

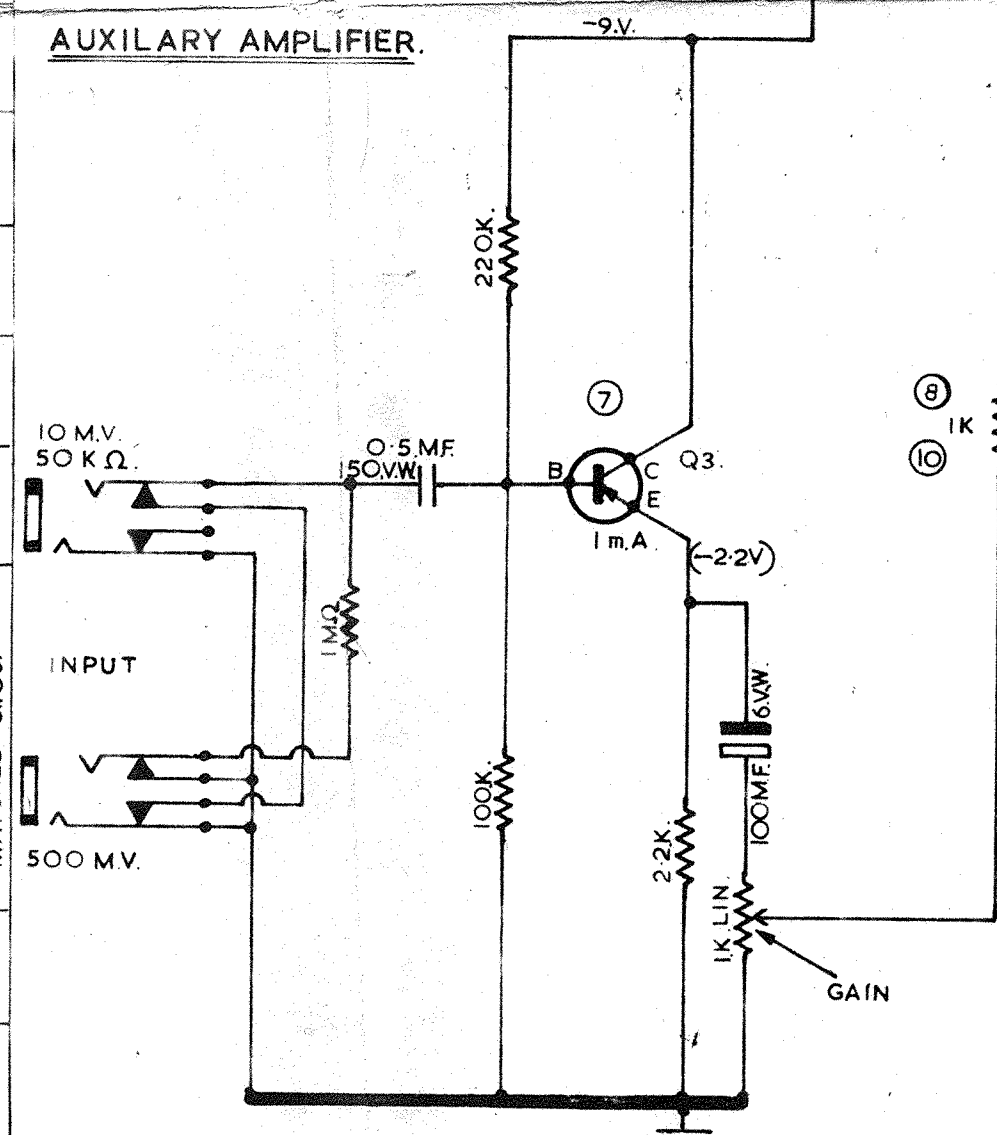
(2)  
 M58. 200Ω INPUT  
 M55. 25Ω INPUT  
 M56. 600Ω INPUT



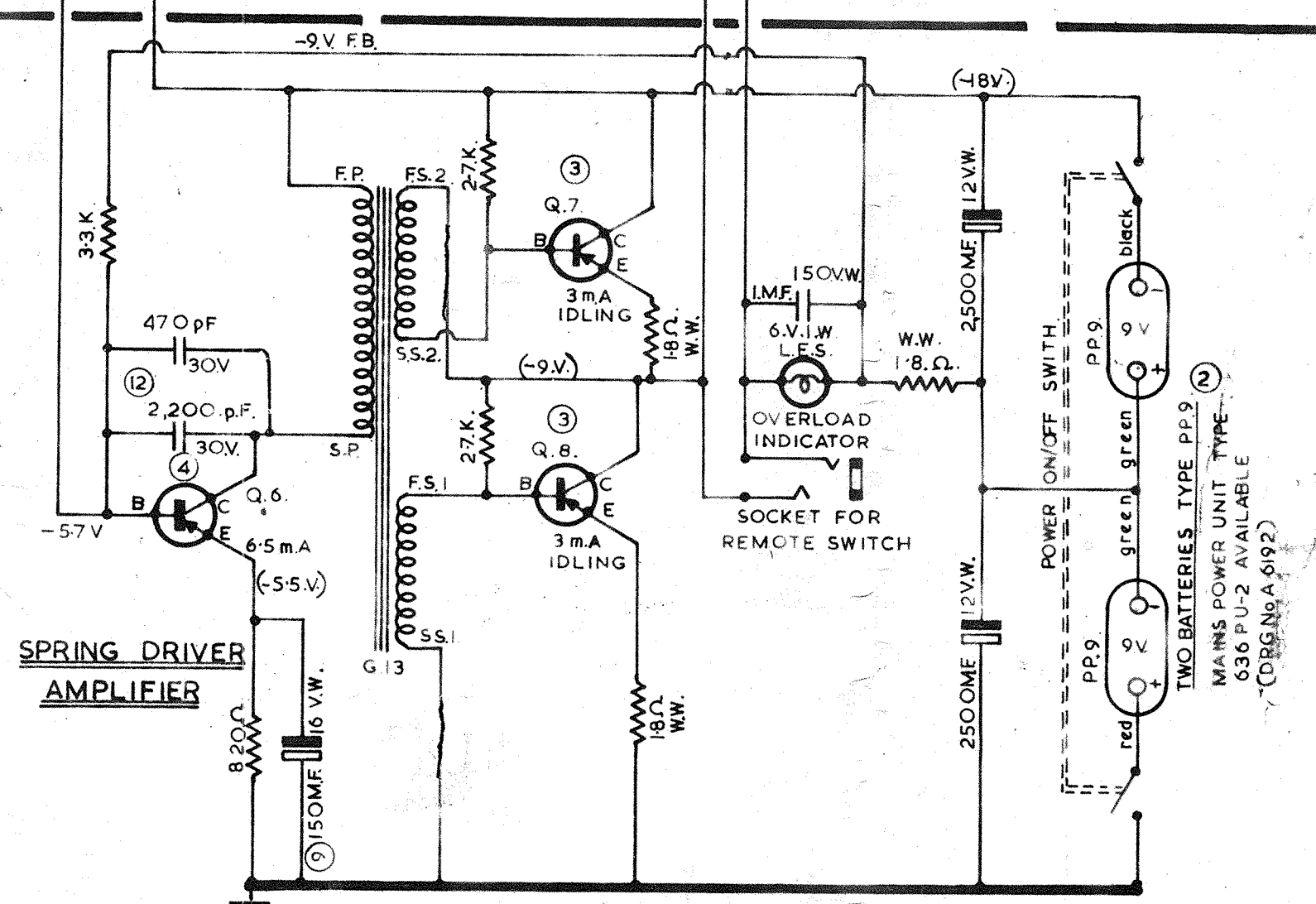
VOLTAGES MARKED THUS e.g. (-2V)  
 TO BE  $\pm 10\%$



**AUXILIARY AMPLIFIER**



**SPRING DRIVER AMPLIFIER**



TRANSISTOR	PREVIOUS TYPES	PRESENT TYPES
Q1	AC107 2N2613	NTG191 2SB440
Q2	OC45 2N2614	NTG191 2SB440
Q3	OC45 2N2614	NTG191 2SB440
Q4	OC45 2N2614	NTG191 2SB440
Q5	OC71	NTG191 2SB440
Q6	OC81D OC71 2N2614	AC128 (GREEN SPOT) NTG191 2SB440
Q7	OC81	AC128
Q8	OC81	AC128
Q9	AC107 2N2613	NTG191 2SB440
Q10	OC71	NTG191 2SB440

- MODIFICATIONS**
- RETRACED 16-12-69
  - (1) 1000 MF WAS 12V.W. & 25 MF WAS 6 V.W. R.B. T/8/63
  - (2) M58 INPUT TX ADDED 9V BATTERY DELETED & REPLACED BY TERMINAL STRIPS PLUS NOTE ON ALTERNATIVE POWER SUPPLY R.B. 13/1/64
  - (3) THESE TRANSISTOR WERE OC81'S FROM SERIAL N 0951 R.B. 26/9/67
  - (4) THIS TRANSISTOR WAS OC81D R.B. 26/9/67
  - (5) WAS 1000 MF IN ERROR C.H. HEWETT 4 3-71
  - (6) WERE TYPE AC107 HEWETT 19/8/71
  - (7) WERE TYPE OC45 C.H. HEWETT 19/8/71
  - (8) WERE 1KΩ C.H. HEWETT 19/8/71
  - (9) WERE 100MF 18VW 18/2/72
  - (10) WAS 1.5K UP TO SERIAL No 1456 C.H. HEWETT 30-6-72
  - (11) TRANSISTOR TYPES TABULATED C.H. HEWETT 29-6-73
  - (12) WAS ONE CAPACITOR 2500pF A.O.T. 29-6-73
  - ISSUE 13 NOTE 1. ADDED 25-2-74

Mat	
Finish	
No Used	
Used On	
Traced	PC
Drawn	
Checked	C. HEWETT
Date	16-12-69
Scale	
Printed	Issued On