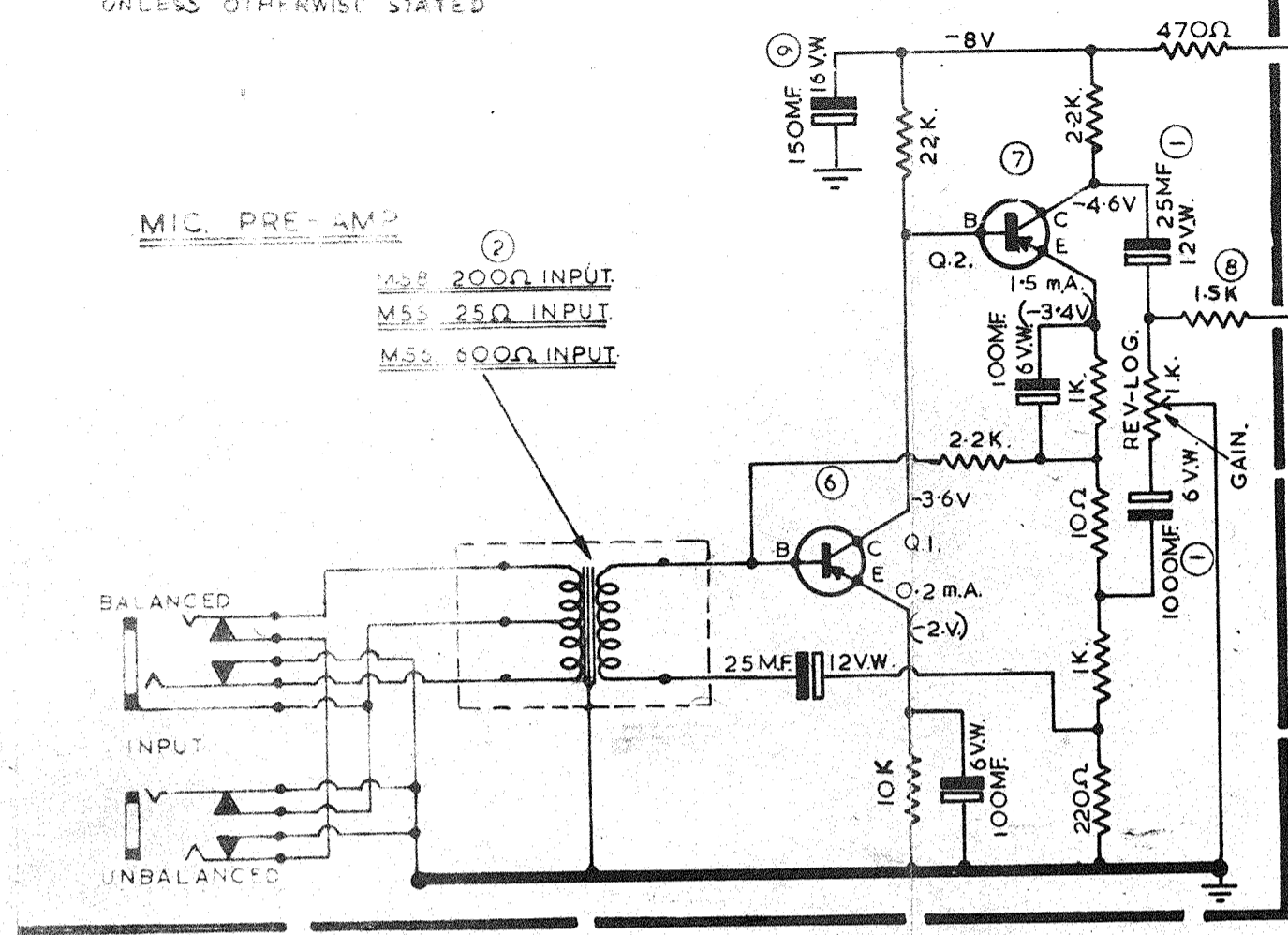
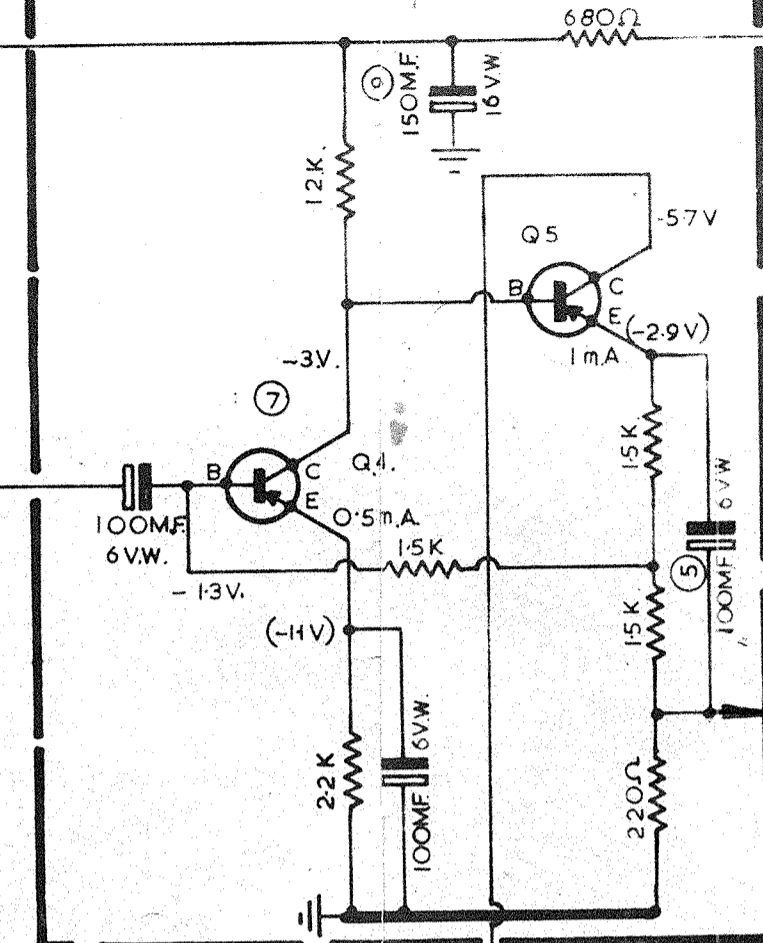


NOTE 13  
 ALL RESISTORS  $\pm 5\%$  0.33W AT 70°C  
 UNLESS OTHERWISE STATED

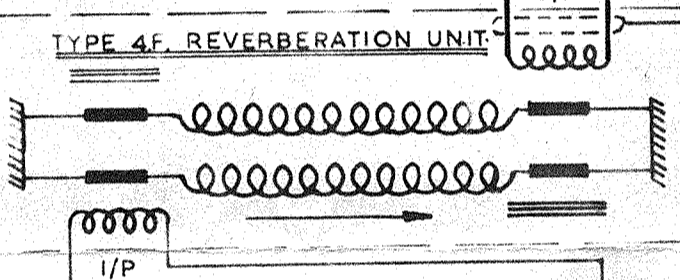
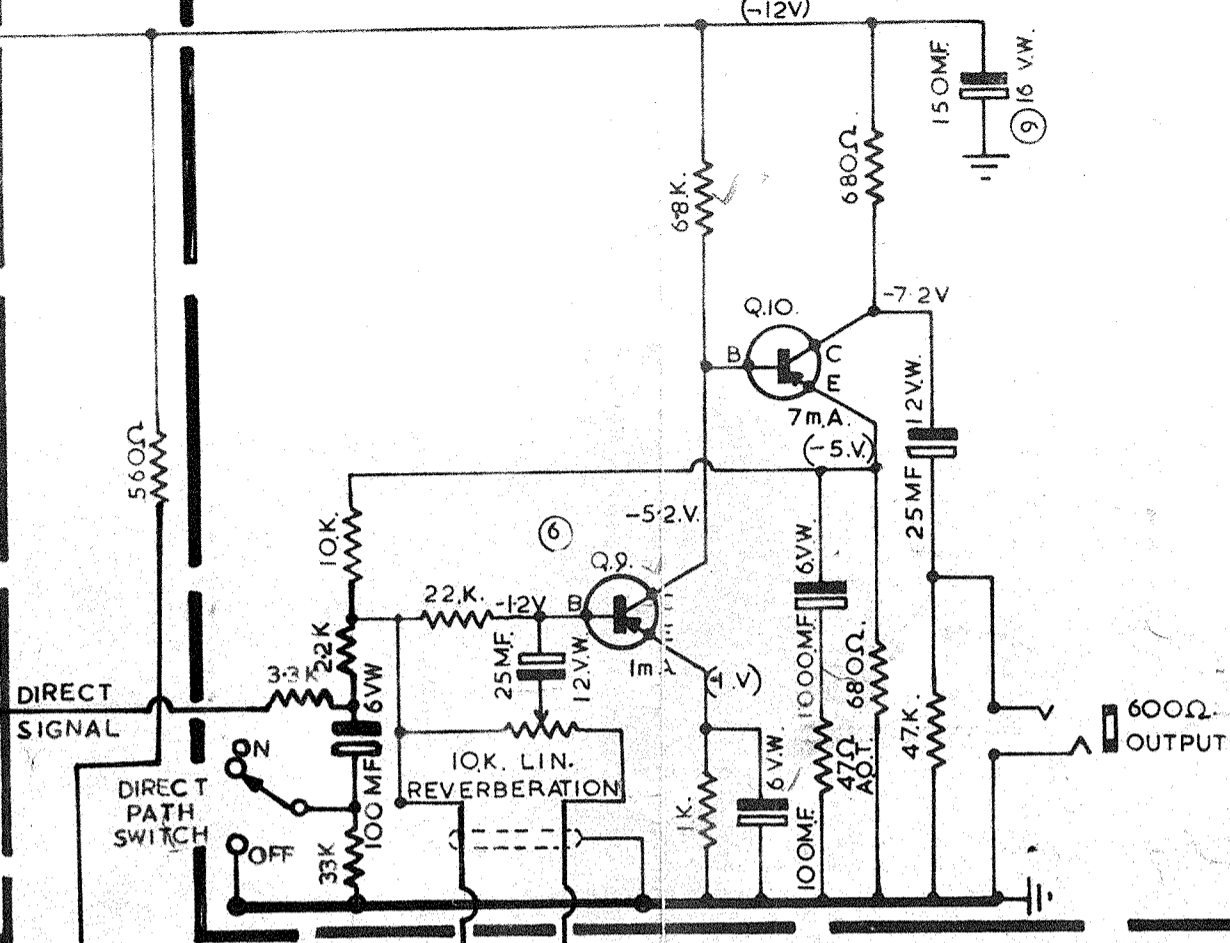


VOLTAGES MARKED THUS eg. (-2V)  
 TO BE  $\pm 10\%$

**BUFFER SPLITTER AMPLIFIER**

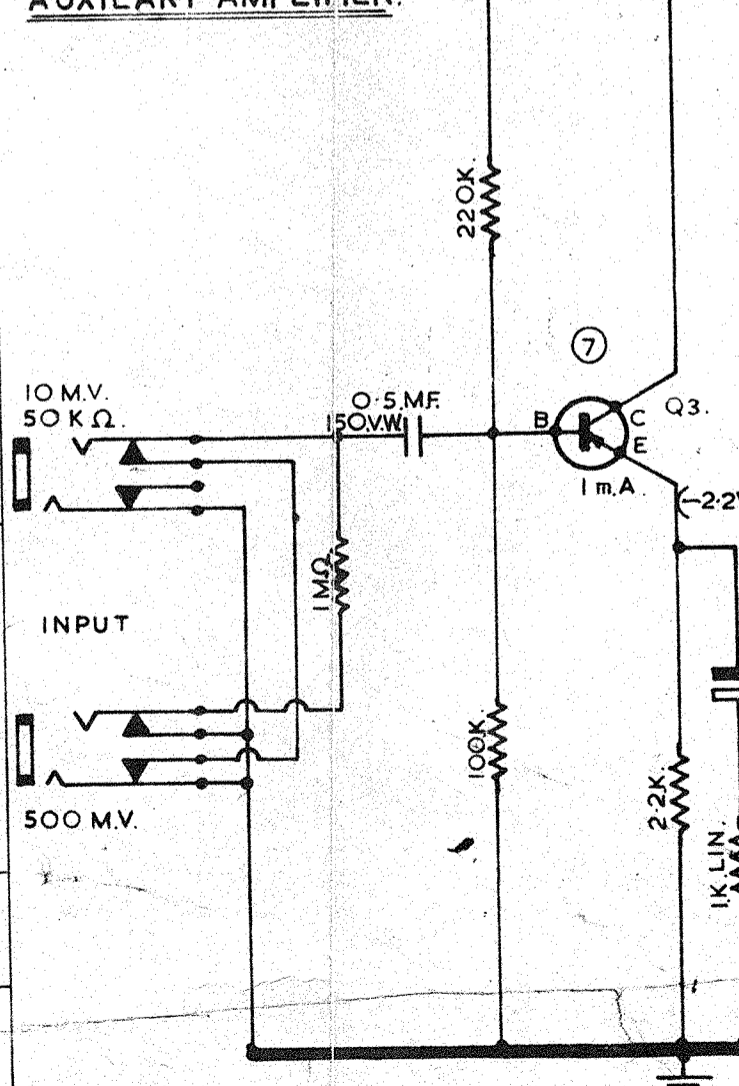


**OUTPUT AMPLIFIER**

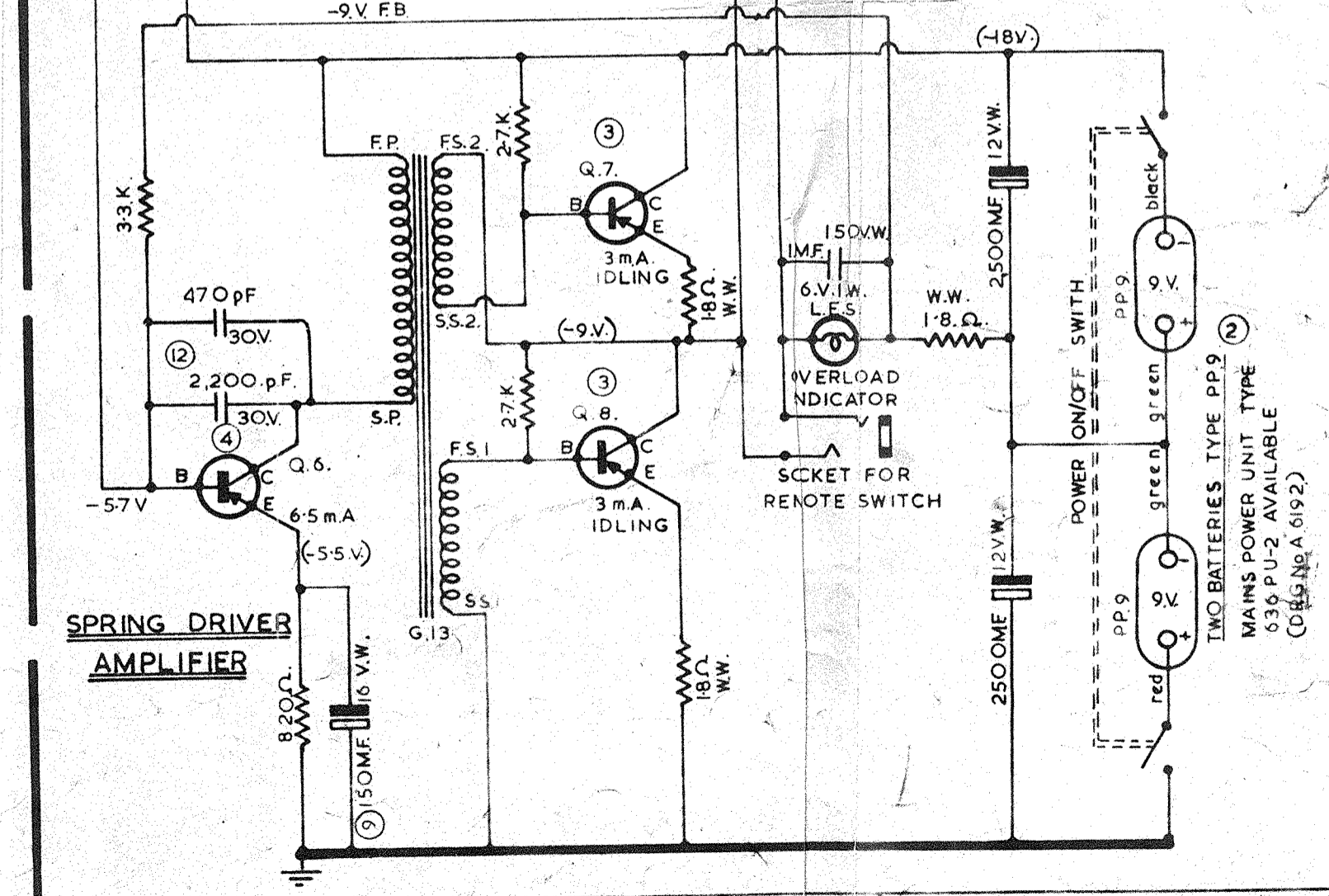


TRANSISTOR	PREVIOUS TYPES	PRESENT TYPES
Q1	AC107 2N2613	NTG191 2SB440
Q2	OC45 2N2614	NTG191 2SB440
Q3	OC45 2N2614	NTG191 2SB440
Q4	OC45 2N2614	NTG191 2SB440
Q5	OC71	NTG191 2SB440
Q6	OC81D OC71 2N2614	AC128 (GREEN SPOT) NTG191 2SB440 AC128
Q7	OC81	AC128
Q8	OC81	AC128
Q9	AC107 2N2613	NTG191 2SB440
Q10	OC71	NTG191 2SB440

**AUXILIARY AMPLIFIER**



**SPRING DRIVER AMPLIFIER**



**MODIFICATIONS**

- RETRACED 16-1-69
- ① 1000 MF WAS 12V.W. & 25MF WAS 6 V.W. *R.B. 11/8/63*
  - ② M.58 INPUT TX ADDED 9V BATTERY DELETED & REPLACED BY TERMINAL STRIPS PLUS NOTE ON ALTERNATIVE POWER SUPPLY *R.B. 13/1/64*
  - ③ THESE TRANSISTOR WERE OC81'S FROM SERIAL N 0951 *R.B. 26/9/67*
  - ④ THIS TRANSISTOR WAS OC81 D *R.B. 26/9/67*
  - ⑤ WAS 1000MF IN ERROR *C.H. 4-3-71*
  - ⑥ WERE TYPE AC107 19/8/71
  - ⑦ WERE TYPE OC 45 C.H. 19/8/71
  - ⑧ WERE 1KΩ C.H. 19/8/71
  - ⑨ WERE 100MF 18V.W. 18/2/72
  - ⑩ WAS 1.5KΩ TO SERIAL No 1456 30-6-72
  - ⑪ TRANSISTOR TYPES TABULATED 29-6-73
  - ⑫ WAS ONE CAPACITOR 2500pF AOT 29-6-73
- ISSUE 13. NOTE 1. ADDED. 25-2-74

Mkt	
Finish	
No Used	
Used On	
Traced	<i>Spencer</i>
Drawn	
Checked	
Date	<i>25-2-74</i>
Scale	
Print issued On	<i>113 JAN 1977</i>

CIRCUIT DIAGRAM REVERBERATION UNIT TYPE 636 WITH DIRECT PATH SWITCH.